

Spare roll holder

Bjarke Ingels Group Collection

d line

PRODUCT DATA SHEET

ITEM NUMBER	SURFACE
12.8002.02.002	Satin Stainless Steel
12.8002.R9.002	Matt white RAL 9003
12.8002.R8.002	Matt black RAL 9005

PRODUCT

Spare roll holder by BIG.

PICTURE



TENDER TEXT

Spare roll holder by Bjarke Ingels Group. Pebble is a series of bathroom accessories and a matching lever handle by Bjarke Ingels Group. This playful series is inspired by a pill's futuristic, balancing elliptical shape that leads the mind to sci-fi scenography of another world. Material: stainless steel AISI 304 satin finish. W:60 mm x H:159 mm x D:111 mm.

PRODUCT SPECIFICATION

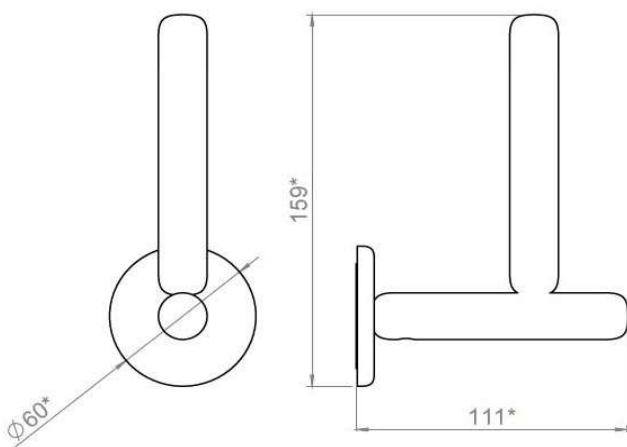
Dimensions: W:60 mm x H:159 mm x D:111 mm.

Material: stainless steel AISI 304

Surface finish: satin grain 320, crafted by hand

Warranty for stainless steel - 20 years

DRAWING



SPARE PARTS / ACCESSORIES:

14970102019 - Grub screw M5 x 8,3 mm

14970145038 - Wood screw Ø4,2 x 38 mm

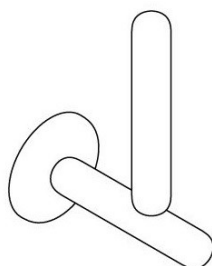
14970100840 - Fischer Dübel SX Ø8 x 40 mm

MOUNTING:

See instruction supplied with product.

PACKING:

ISO-DRAWING



CERTIFICATES & AWARDS

PRODUCT CARE

To sustain the unique d line finish appearance please follow the below instructions:

- Wash down the surfaces using soapy water or mild detergent
- Always thoroughly rinse off with clean water
- To complete the cleaning procedure dry/polish the surfaces with a soft dry cloth

Please do not use scouring powder, steel wool, chloride based detergents or other aggressive cleaning products as these may damage the surface.

If spots or corrosion appear on the surface it is not due to the stainless steel quality, but to impurities in the environment, aggressive conditions or improper or insufficient cleaning.