

Lever handle

Bjarke Ingels Group Collection

d line

PRODUCT DATA SHEET

ITEM NUMBER	SURFACE
12.8003.02.001	Satin Stainless Steel
12.8003.R9.001	Matt white RAL 9003
12.8003.R8.001	Matt black RAL 9005

PICTURE



PRODUCT

Lever handle by BIG, pair with snap-on-cover cc 30/38 mm, 33-59 mm

TENDER TEXT

Lever handle by Bjarke Ingels Group. Pebble is a series of bathroom accessories and a matching lever handle by Bjarke Ingels Group. This playful series is inspired by a pill's futuristic, balancing elliptical shape that leads the mind to sci-fi scenography of another world. Material: stainless steel AISI 304 satin finish. W:60 mm x H:148 mm x D:66 mm.

PRODUCT SPECIFICATION

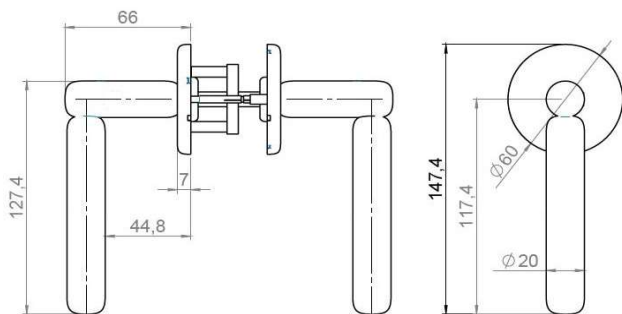
Dimensions: W:60 mm x H:148 mm x D:66 mm.

Material: stainless steel AISI 304

Surface finish: satin grain 320, crafted by hand

Warranty for stainless steel (non movable) parts - 20 years

DRAWING



SPARE PARTS / ACCESSORIES:

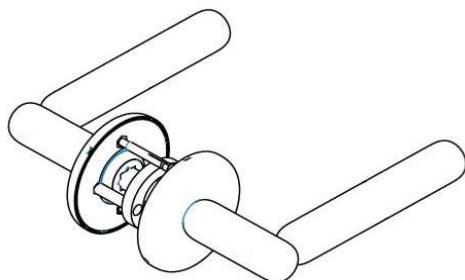
- P 80 - Sectioned bolt M4 x 110 mm
- P 302 - Wood screw, Ø4 x 12 mm
- 14.2810.92.092 - Spindle 8x8x92
- 14.9701.02.016 - Grub screw M5 x 6,8 mm

MOUNTING:

See instruction supplied with product.

PACKING:

ISO-DRAWING



PRODUCT CARE

To sustain the unique d line finish appearance please follow the below instructions:

- Wash down the surfaces using soapy water or mild detergent
- Always thoroughly rinse off with clean water
- To complete the cleaning procedure dry/polish the surfaces with a soft dry cloth

Please do not use scouring powder, steel wool, chloride based detergents or other aggressive cleaning products as these may damage the surface.

If spots or corrosion appear on the surface it is not due to the stainless steel quality, but to impurities in the environment, aggressive conditions or improper or insufficient cleaning.