

Door dimension /

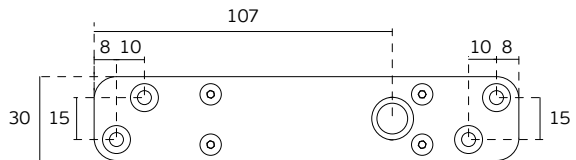
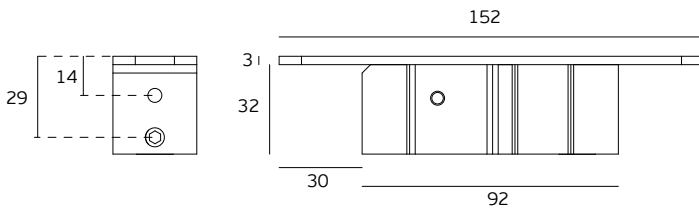
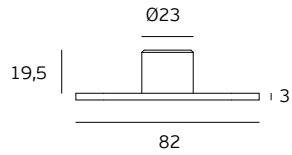
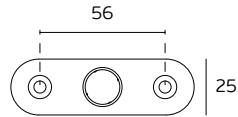
A(max)	B(min)	C(max)
1120	120	1000
1320	220	1120
1500	265	1235

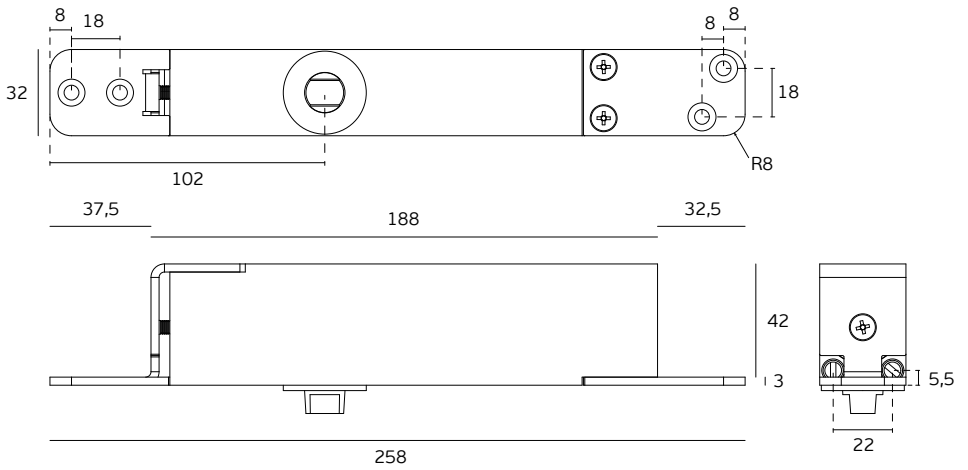
Clearance Table



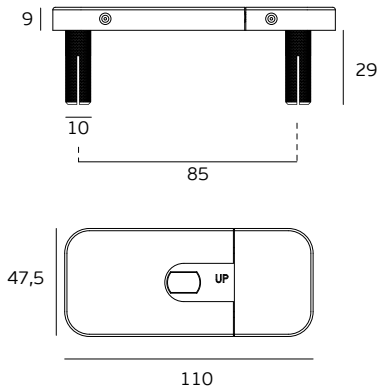
B'			
B	T (min)	40	50
	150	3	4
250	3	3	
500	2	3	
1000	2	2	
1500	2	2	

C'			
C	T (min)	40	50
	150	3	4
250	3	3	
500	2	3	
1000	2	2	
1500	2	2	

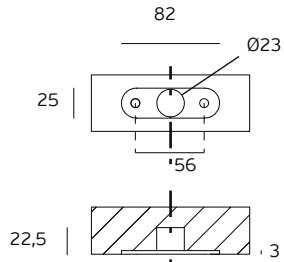




BH3 - STANDARD

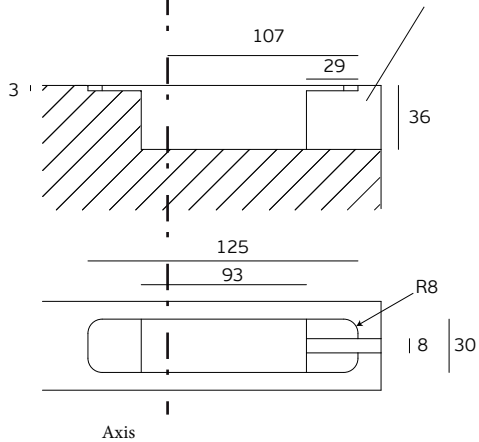


Top (Rim) /

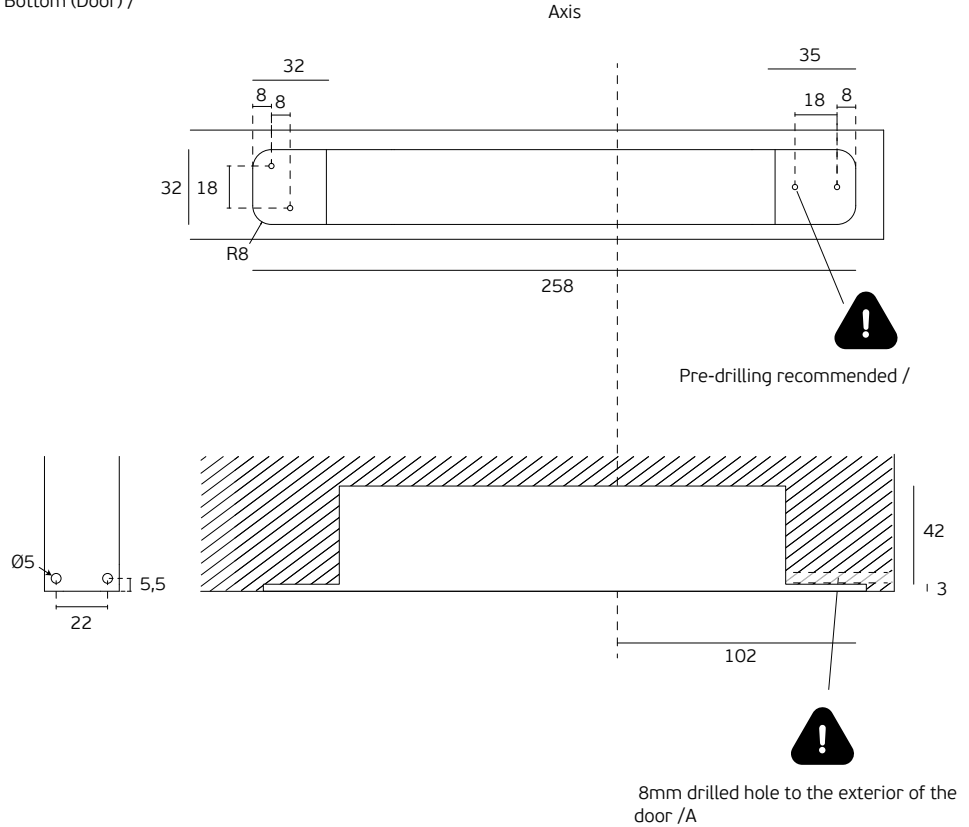


8mm slot to the exterior of the door /

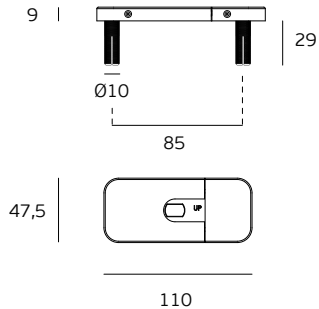
Top (Door) /

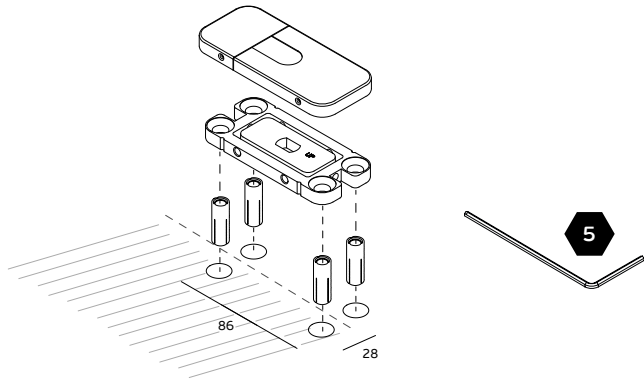


Bottom (Door) /

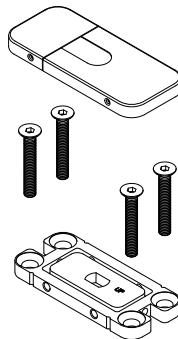


Bottom (Floor)

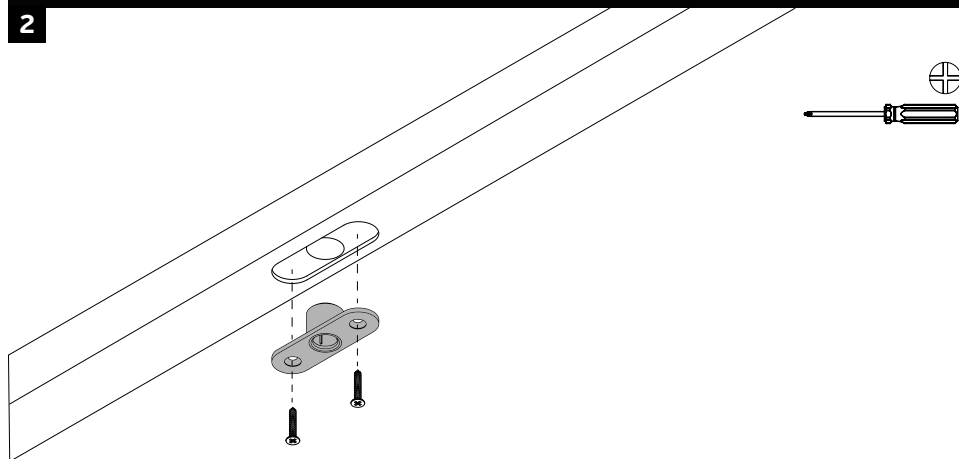




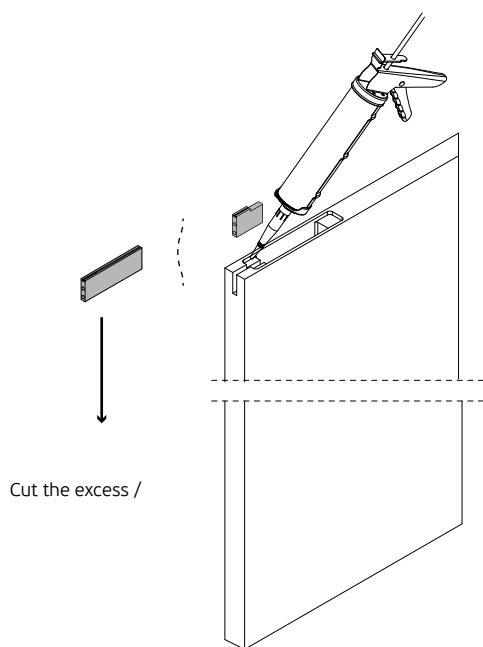
Fixing accessories and anchoring system (mechanical or chemical) shall be chosen according to the structure, where the product will be applied. This choice, like your application, should be executed by a professional.



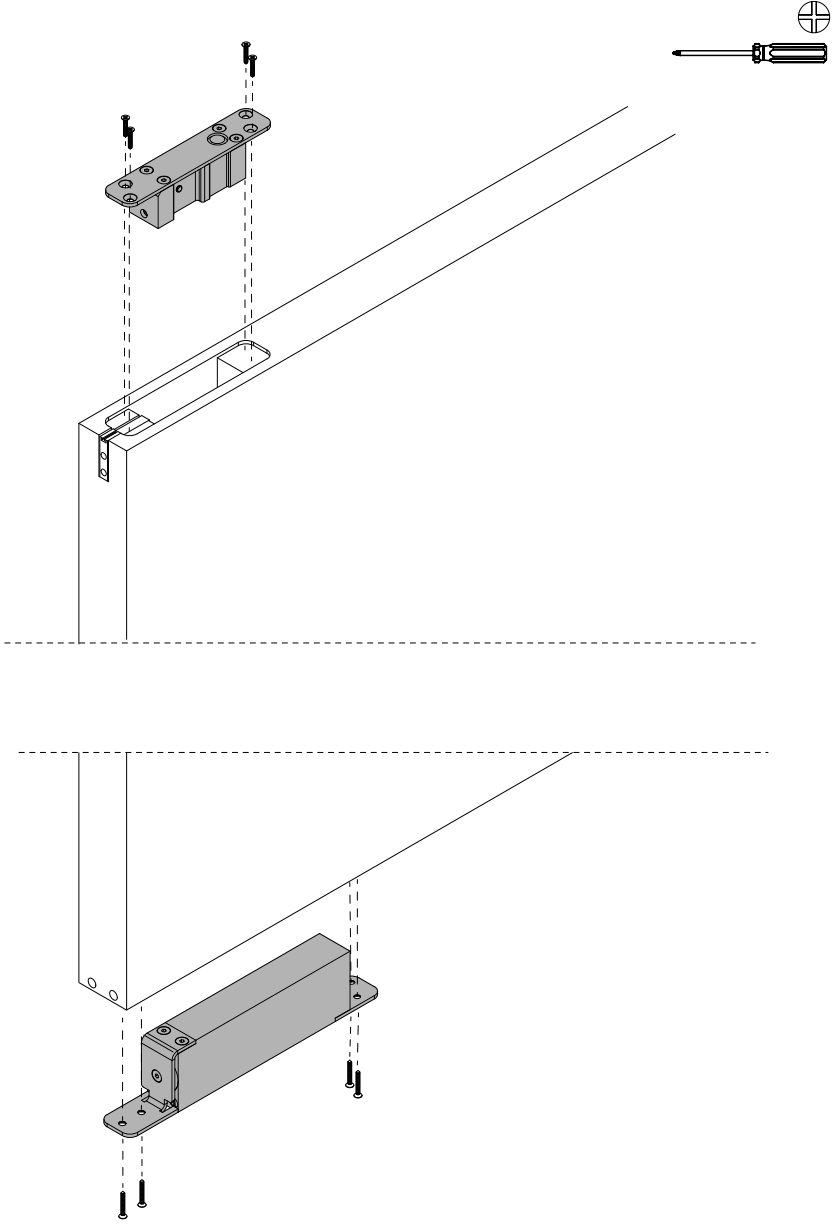
2



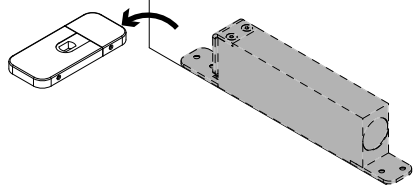
3



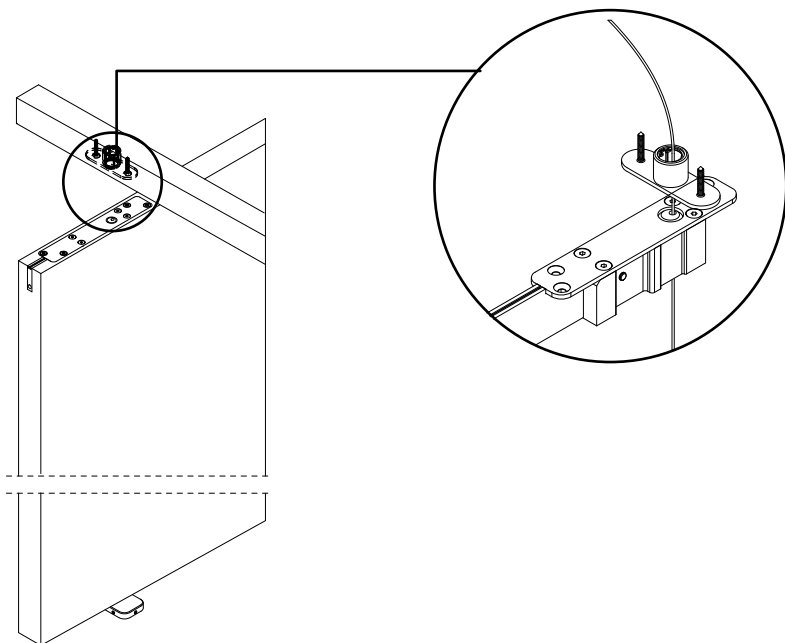
Follow curing time defined by the manufacturer /

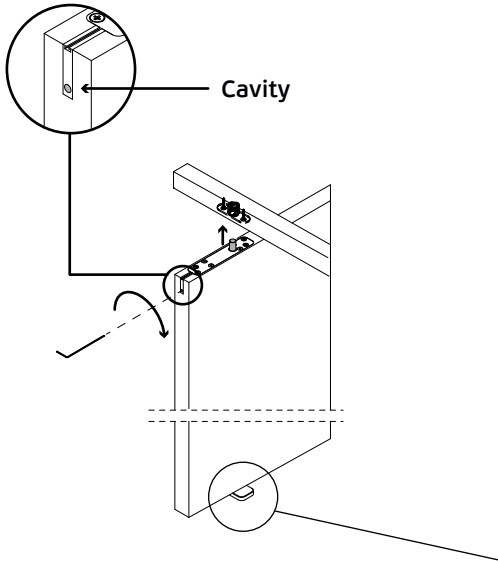
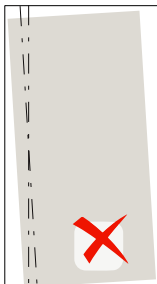
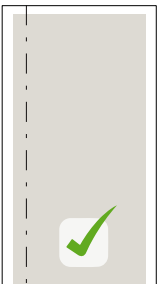
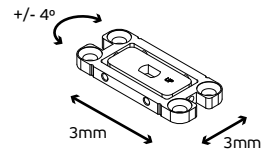


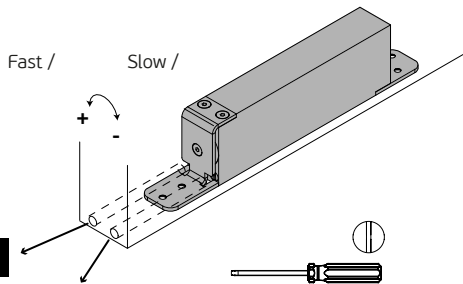
6



7



**BH3**



110° - 15°

15° - 0°

WARNING - RISK OF DAMAGE!

*Do not force when tightening or loosening.
Do not exceed the 5° angle without testing.
Make smooth movements when tightening or loosening.
Do not force the pivot if the door doesn't close.*

